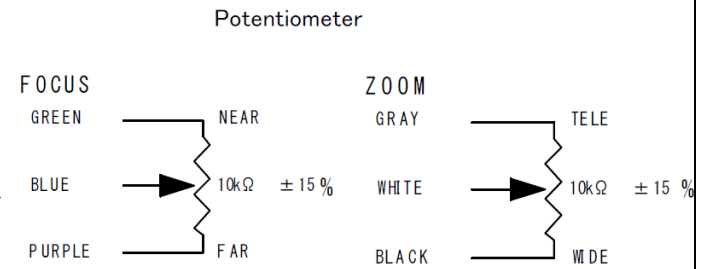
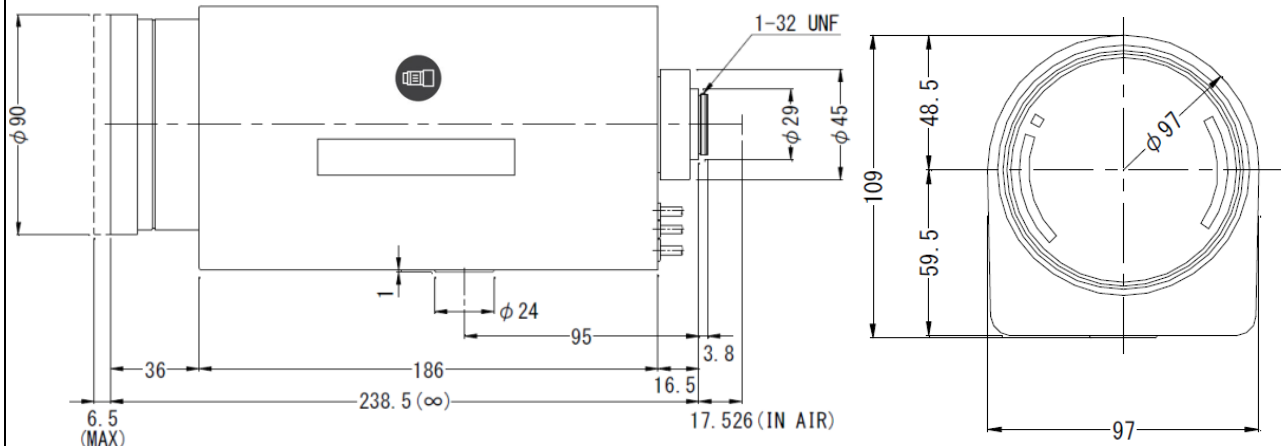
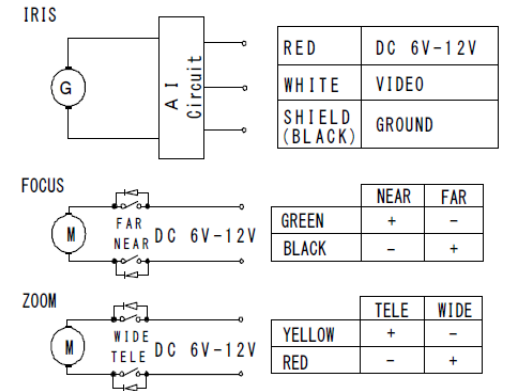


### MOTORIZED ZOOM LENS



### Iris, Focus & Zoom



<b>Model No.</b>	MMC-MZL35X10350-MP		Effective Lens Aperture	Front	φ98.5mm		
<b>Focal Length</b>	12.5mm - 775mm			Rear	φ17.5mm		
<b>Max. Aperture Ratio</b>	1:3.5		Back Focal Length	42.29mm			
<b>Max. Image Format</b>	6.4mm x 4.8mm(φ8mm)		Flange Back Length	17.53mm			
<b>Operation Range</b>	<b>Iris</b>	F3.5 - Close	Mount	C-Mount			
	<b>Focus</b>	5.0m - Inf.	Filter Size	M107 P=1.0mm			
	<b>Zoom</b>	12.5mm - 775mm	Tripod Screw	1/4 - 20UNC X 2			
<b>Control</b>	<b>Iris</b>	Video Auto Iris	Dimensions	W150mm x H135mm x D367.5mm			
	<b>Focus</b>	Motorized	Weight	6000g			
	<b>Zoom</b>	Motorized					
<b>Object Dimension at M.O.D.</b>	<b>12.5mm</b>	245.4cm X 184.2cm					
	<b>775mm</b>	3.94cm X 2.96cm					
<b>Angle of View</b>	<b>D</b>	1/2 type	35.47° - 0.58°	1/3 type	27.06° - 0.44°	1/4 type	20.44° - 0.33°
			28.77° - 0.47°		21.78° - 0.35°		16.41° - 0.26°
			21.78° - 0.35°		16.41° - 0.26°		12.34° - 0.20°
	<b>Iris</b>		<b>Focus</b>		<b>Zoom</b>		
<b>Supply Voltage</b>	DC8.5-16V		DC6-12V	DC6-12V			
<b>Current</b>	30mA or less		60mA or less	60mA or less			
<b>Response Time</b>	-		Approx. 7.5 sec. (when 10V input)	Approx. 8.5 sec. (when 10V input)			
<b>Preset Potentiometer</b>	-		10KΩVR	10KΩVR			
<b>Coil</b>	<b>Drive</b>	190 Ohm					
	<b>Control</b>	1000 Ohm					
<b>Iris Accuracy</b>	±15% at Video Signal Level						
<b>Sensitivity Adjustment</b>	0.4V(p-p) - 1.0V (p-p) (Video Signal)						
<b>Input Impedance</b>	High Impedance						
<b>Operating Temperature</b>	-10°C - +50°C						

**35X Megapixel Zoom Lens, 10-350mm, F1.5, Video Auto Iris, Motorized Zoom and Focus, Preset Zoom and Focus 1/2" Format, C-Mount Wiring Diagram**



2460 W.Ray Rd., Ste.2 Chandler, AZ85224  
 T.480.890.1612 F.480.890.2150  
[sales@mesamicrowave.com](mailto:sales@mesamicrowave.com) [www.mesamicrowave.com](http://www.mesamicrowave.com)

<b>DESCRIPTION: MOTORIZED ZOOM LENS</b>		
<b>MODEL No.: MMC-MZL35X10350-MP</b>		
Size A	CAGE CODE:6LBG8	REV CODE:
SCALE:N/A	ALL SPECIFICATIONS ARE SUBJECT TO CHANGE WITHOUT NOTICE AT ANY TIME	SHEET 1 OF 1